



motorola

UK EN

QUICK START GUIDE

For a full explanation of all features and instructions, please refer to the User's Guide.

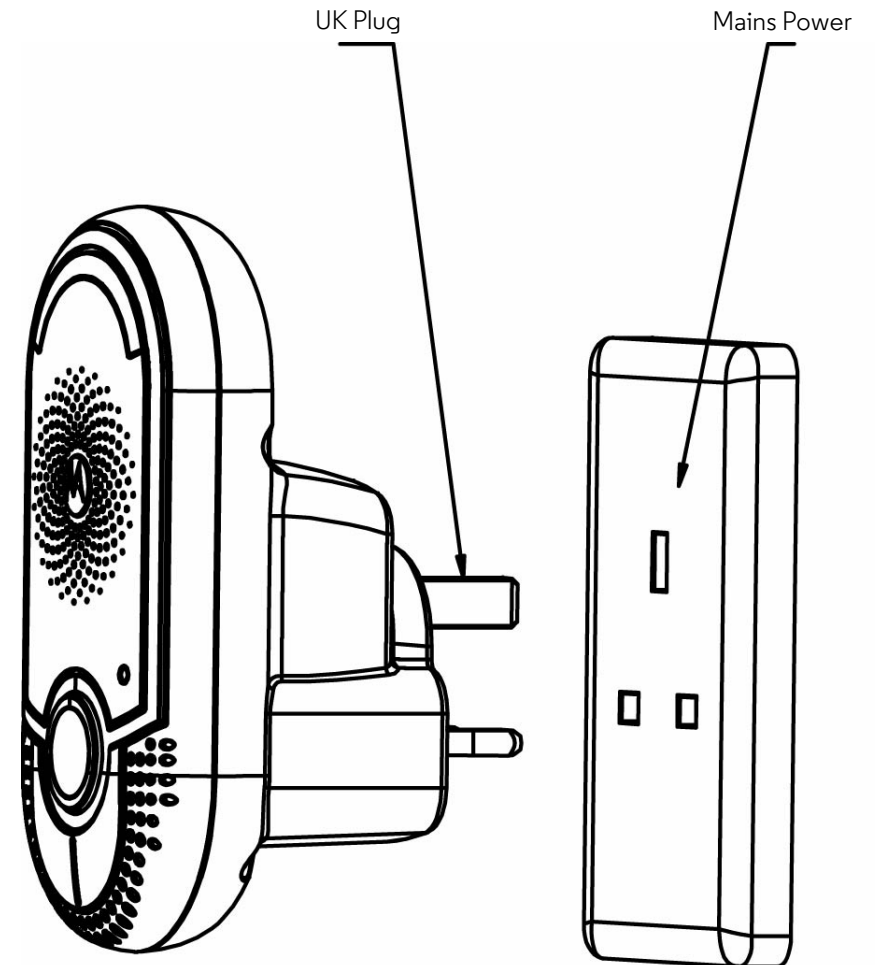
1. Setting up your Digital Audio Baby Monitor

MODELS:

MBP8

MBP8/2

- 1 Choose a proper location with easy access to the mains power.
- 2 Plug the baby unit into the mains power in your baby's room. Keep sufficient space in front of the monitor to ensure sound can be received and heard.
- 3 Plug in the parent unit where you want to monitor your baby.








! WARNING:

Presence of un-insulated "dangerous voltage" within the product's enclosure that may be of sufficient magnitude to constitute a risk of electric shock to persons.

2. Basic operation of the keys

UK EN

Parent unit	
	Press to increase the speaker volume.
	Press to decrease the speaker volume.
	Press and hold to power on/off the parent unit.
Baby unit	
	Press and hold to power on/off the baby unit.
	Press to turn on/off the nightlight.

3. General Information

If your product is not working properly...

1. Read this Quick Start Guide or the User's Guide.
2. Contact Customer Service:
+44 (0) 844 557 0890 (UK only)
+44 (0) 8187 62092 (ROI)



Manufactured, distributed or sold by Binatone Electronics International LTD., official licensee for this product. MOTOROLA and the Stylised M Logo, are trademarks or registered trademarks of Motorola Trademark Holdings, LLC. and are used under license. All other trademarks are the property of their respective owners. © 2015 Motorola Mobility LLC. All rights reserved.



Printed in China
UK_EN Version 3.0